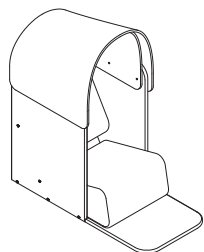


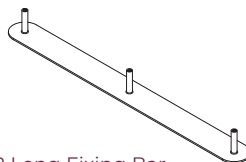
## Supplied Components:



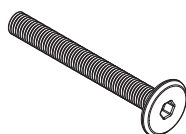
x1 Hideaway Hut



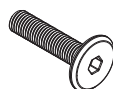
x10 Cross Dowel



x2 Long Fixing Bar



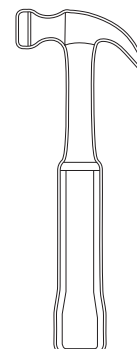
x18 45mm Bolt



x6 20mm Bolt

## Tools required:

- Flat head screwdriver
- Hex head driver/alan key
- Hammer/mallet



## Before Starting:

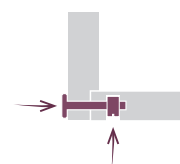
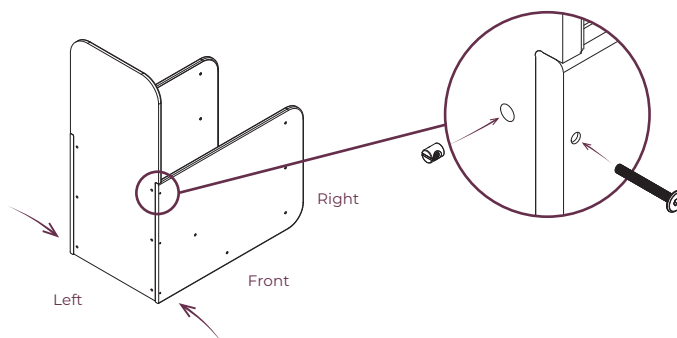
- Insert all cross dowels into machined holes (using hammer if required)
- Using a screwdriver align cross dowels in center of hole
- Partially thread screws into cross dowel to check these are aligned

## Assembly instructions:

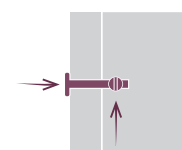
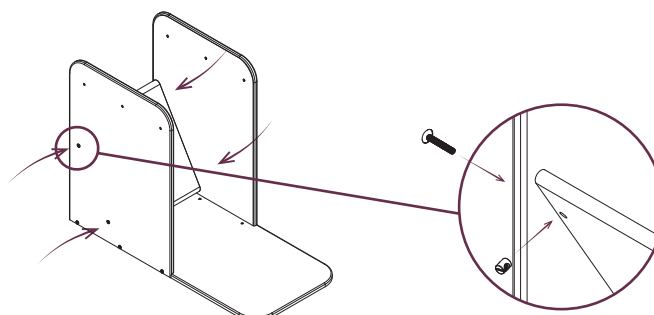
- 1** Tip base on its end. Place sides with back rest fastening holes drawing a line to the right.



Fix sides to base using x6 cross dowels & x6 45mm bolts.



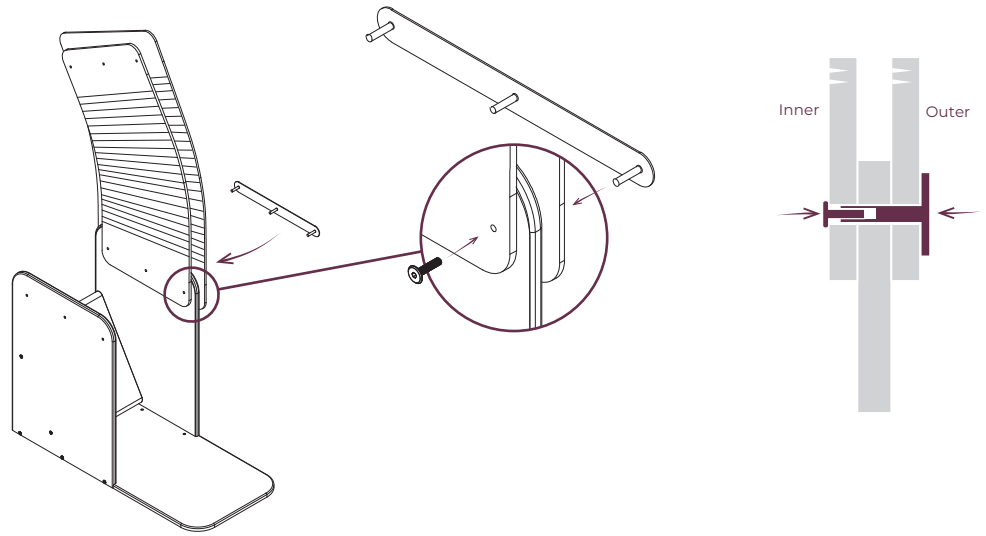
- 2** Position back in line with the fixing holes on the sides & fasten using x4 cross dowels & x4 45mm Bolts.



# Hideaway Hood

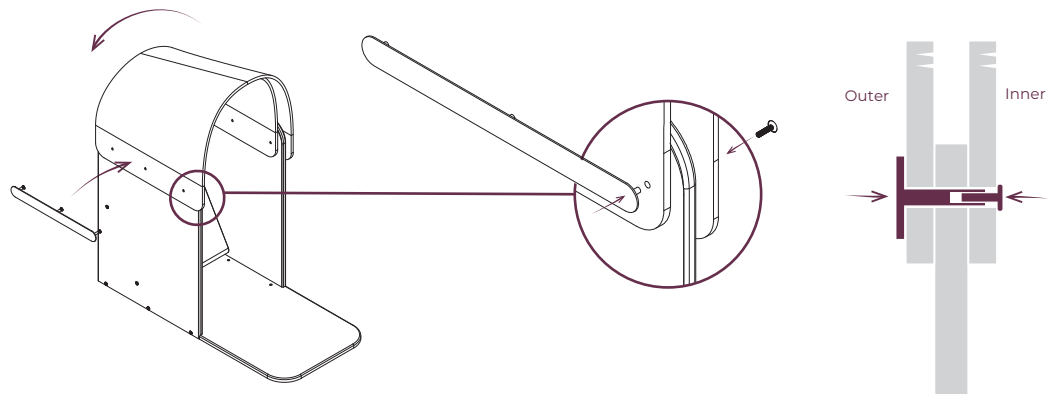
**3** Position outer and inner roof either side of the wall with the grooves facing towards the middle.

Slide the fixing bar through the fixing holes & secure using x3 20mm bolts.



**4** Fold the Inner and Outer roof over & position either side of the wall.

Slide the fixing bar through the fastening holes & secure using x3 20mm bolts.



**5** Slide seat into place inside the hood.

